



The Inovonics single input universal is designed for use with any standard normally open or normally closed contact. It is fully supervised and includes case tamper and battery.

The single input universal is available in the following configurations:

Part Number	Check-In Time	Market
EN1210	3 minutes	Security
EN1210-60	60 minutes	Senior living
EN1210-240	240 minutes	Senior living

Product Features

Mounting bracket included for quick and easy installation

Can be used with almost any standard NO/NC contact

Fully supervised

Includes case tamper protection

Product Specifications

Dimensions: 3.5" x 1.7" x 0.9" (8.9 x 4.3 x 2.3 cm)

Weight: 1.9 oz. (54 g)

Typical battery life: 3-5 years

Internal battery type: Panasonic CR123A

Accessories: ACC1210-10 beige housing 10 pack, ACC1210-WH-10PK white housing 10 pack

External contacts: Normally open or normally closed

External contact cabling requirements: 14-22 gauge wire, unshielded

Distance, external contact to transmitter: 10' (3 m) maximum

Operating environment:

Temperature: -4 to 140°F (-20 to 60°C)

Humidity: Up to 90% (non-condensing)

Market: North America, Australia, New Zealand

EchoStream® frequency: 902-928 MHz, frequency hopping spread spectrum

Check-in time frequency: EN1210: 3 minutes; EN1210-60: 60 minutes; EN1210-240 minutes

Regulatory compliance: EN1210: FCC, ISED, RCM, RoHS; EN1210-60 and EN1210-240: FCC, RoHS, UL 2560¹

Reference Materials (available at www.inovonics.com)

[EN1210 Family Single Input Universal Installation Instructions](#)

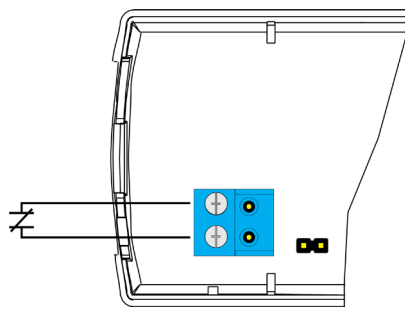
[EchoStream Developer Guide](#)

[EchoStream One-Way Security Developer Guide](#)

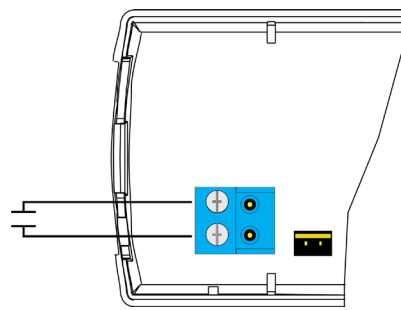
[Inovonics Product Catalog: North America](#)

- The range and performance of any wireless product depends on the structure and environment in which it operates.
 - Continual enhancements to our products may cause specifications to change without notice.
 - Patents: 7,154,866; 7,554,932; 7,746,804; others pending.
 - Inovonics supports recycling and reuse whenever possible. Please recycle these parts using a certified electronics recycler.
- ¹ Partners must achieve emergency call system certification from a nationally recognized testing laboratory to claim compliance with UL 2560. The EN1210-60 and EN1210-240 are supplemental devices allowed for use in a UL 2560 certified system, but does not carry the UL 2560 unlisted component certification.

Inputs



Normally closed



Normally open

Technical documents

For technical documents visit us at <http://www.inovonics.com/support/tech-documents/> or use the QR code below.



Mounting plate



The transmitter mounting plate hinges to the transmitter. Just mount the plate and snap the transmitter in place.