

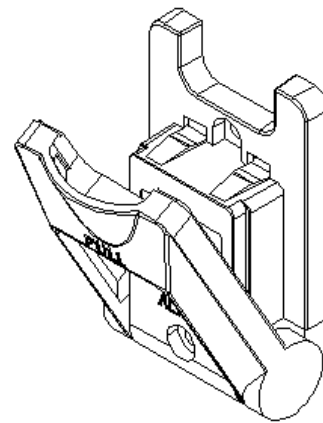
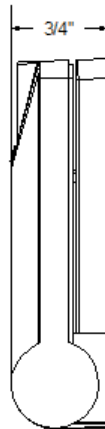
**1 3/4" WIDE X 3" LONG  
SURFACE MOUNT PANIC SWITCH  
FLR-3045 SERIES**

**Super Nurse Call**  
www.supernursecall.com  
888-568-0008



**FEATURES:**

- \* 3" Long Surface Mount Panic Switch
- \* 18" #22 AWG Leads
- \* Potted Switch and Magnet for Maximum Resistance to Corrosion
- \* Screw Mount
- \* White ABS Fire Retardant Case
- \* Lifetime Warranty
- \* Internal Magnetic Switch Safety Approvals



Part Number	Loop Type	Electrical Configuration	Maximum Initial Contact Resistance (Ohm)	Maximum Contact Rating (W)	Maximum Switching Voltage (VDC/VAC)	Maximum Switching Current (A)
FLR-3045	Closed	N/O	.100	10	100	.500
FLR-3045-SPDT	Open/Close	SPDT	.100	3	30	.200